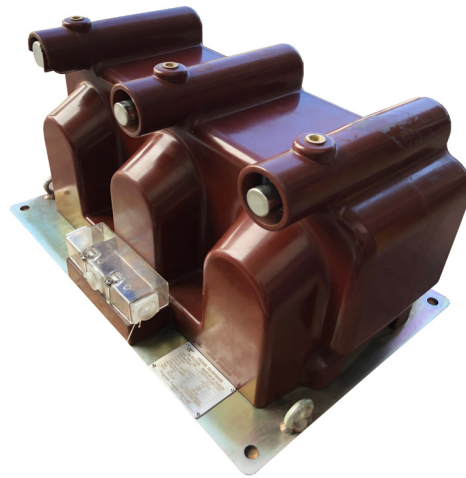


11kV Voltage Transformers



AVAILABLE FROM
NEPEAN ELECTRONICS

NEPEAN Power is a proven leader in the supply and manufacture of quality engineered solutions, products and technologies. Established in 1994, through the commitment of our dedicated team we have become a supplier of choice.

These voltage transformers are cast epoxy resin insulated and fully enclosed. They are suitable for use for metering, voltage control and relay protection supplies. Designed for Australian compliance of 50Hz and a rated voltage of 11kV (3.3kV, 7.6kV and 22kV versions are also available).

The voltage transformers comply to AS1243, AS60044.2, IEC60044.2, GB1207 along with other international standards.

Each phase is with fusible cutout protection sized to match the transformer short circuit energy. Each unit is partial discharge tested in accordance with the requirements of AS4871.

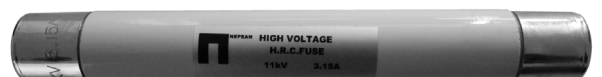
Features

Single Phase Transformer	
Indoor Service	
Frequency	50Hz
Insulating Material	Epoxy Resin
Altitude	<1000m
Rated Voltage Ratio	11/0.11kV (with earth screen)
Rated Power	1000VA per phase
Number of Phases	Single Phase
Um	12kV
Insulation Level	12/42/75kV
PT with fuse in primary winding	XRNP-12/0.5-50
Type of Manufacture	T19-1-1CT-1ES

Three Phase Transformer	
Indoor Service	
Frequency	50Hz
Insulating Material	Epoxy Resin
Altitude	<1000m
Rated Voltage Ratio	11/0.11kV (with earth screen)
Rated Power	2250VA (750VA per phase)
Number of Phases	Three Phase
Um	12kV
Insulation Level	12/42/75kV
PT with fuse in primary winding	XRNP-12/0.5-50
Type of Manufacture	T19-2.2-3YY-1ES

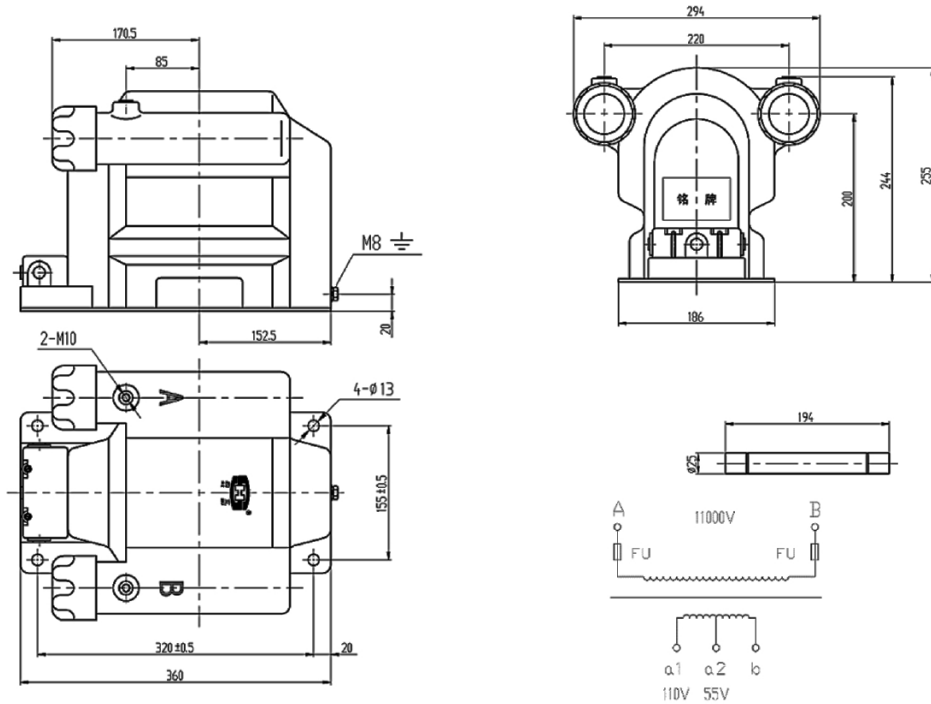
VT Fuses

Part Number	Description
XRNP-12/0.2-50	0.2A 11kV PT Fuse
XRNP-12/0.5-50	0.5A 11kV PT Fuse
XRNP-12/1.0-50	1.0A 11kV PT Fuse
XRNP-12/2.0-50	2.0A 11kV PT Fuse
XRNP-12/3.15-50	3.15A 11kV PT Fuse

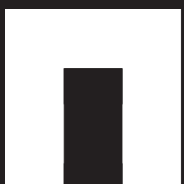
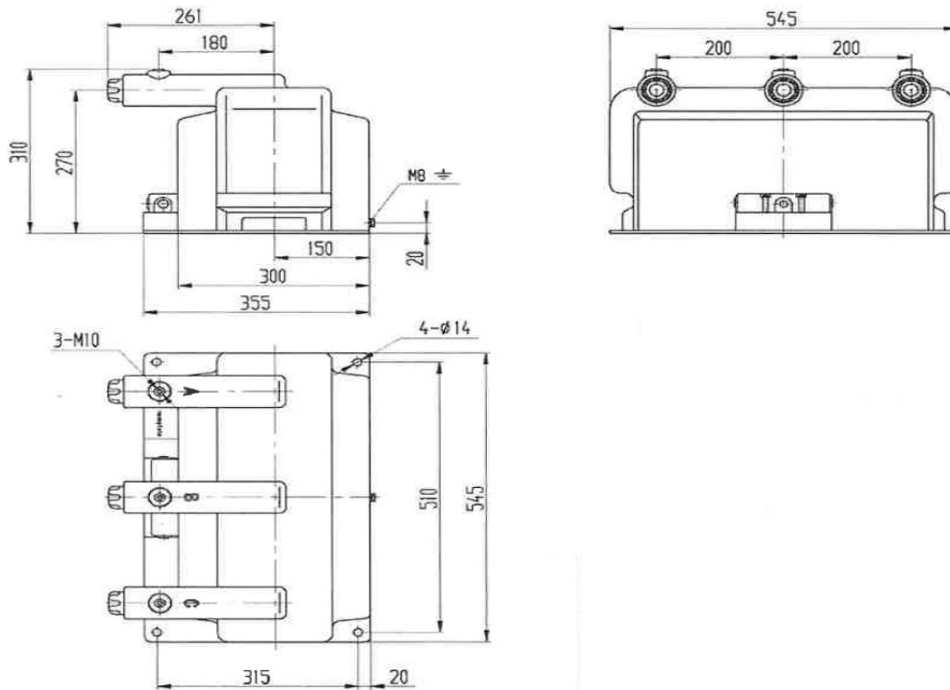


11kV Voltage Transformers

Single Phase Transformer (T19-1-1CT-1ES)



Three Phase Transformer (T19-2.2-3YY-1ES)



NEPEAN
Power

www.nepeanpower.com

For more information please contact:

P: +61 2 4088 2790

E: power@nepean.com